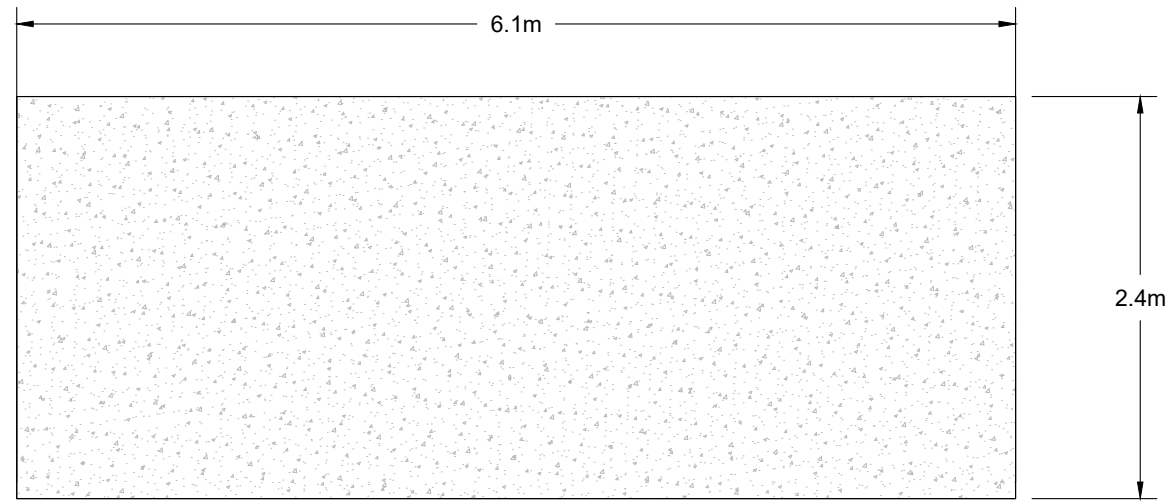
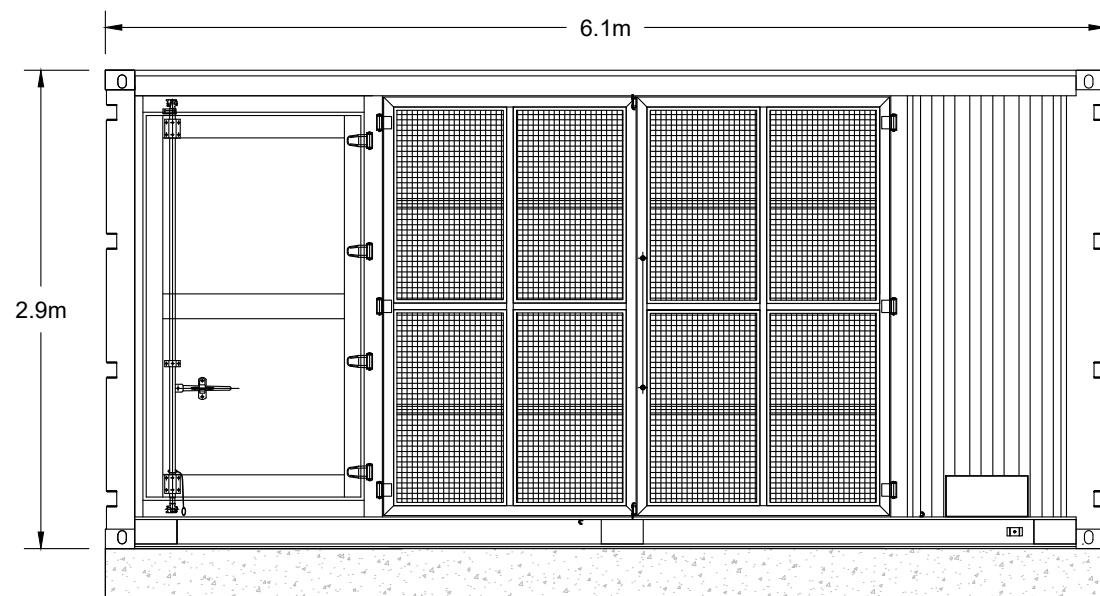


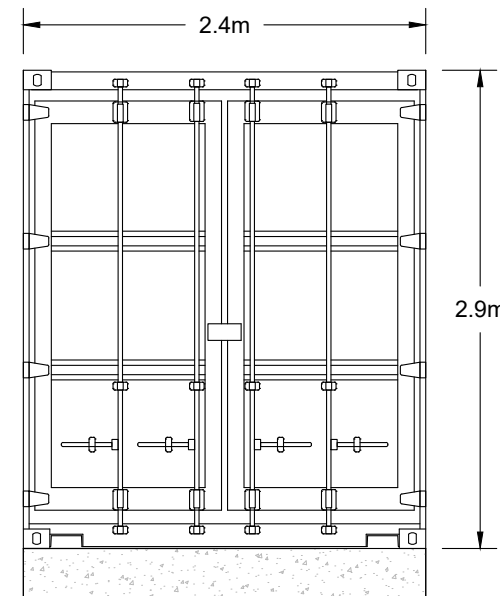
Notes:



Plan View



Side View



Front View

01	Planning	28/10/25	IR	AA	EQ
Rev	Amendments	Date	By	Chk	Auth



www.slrconsulting.com

Drawing Status & Suitability Code **PLANNING**

Client  
Trio Power Ltd. 

Project  
Dupplin Solar Farm

Drawing Title  
Typical Transformer Station

Scale @ A3 SLR Project No. 405.065787.00001

Designed	Drawn	Checked	Authorised
	IR		EQ

Date	Date	Date	Date
	28/10/2025		28/10/2025

Drawing Number	Rev.
<b>Figure 3.3</b>	<b>01</b>